



2LS1



Actual product appearance may vary.

Enclosed Switches Series LS: Top Plunger; 1NC 1NO DPDT Snap Action, Double Break; 0.5 in - 14NPT conduit; Compact/Non Plug-in

Features

- Mode of operation is field adjustable
- NEMA 1, 3, 4, 6, and 13
- Wide choice of heads and actuators
- Variety of operating characteristics
- Captive screws
- UL and CSA approved parts available

Potential Applications

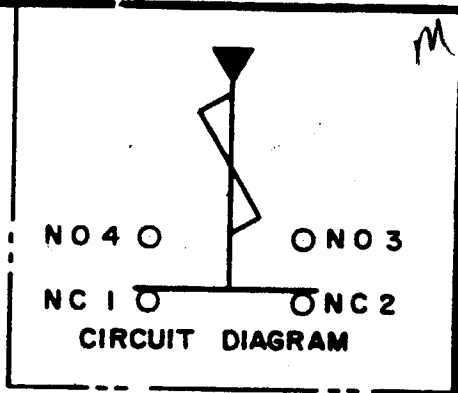
- Machine tools
- Conveyors
- Material handling
- Metal fabrication equipment
- Lift trucks

Description

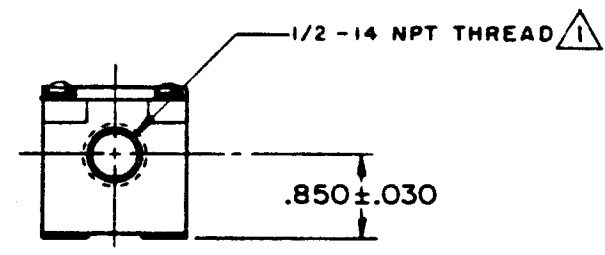
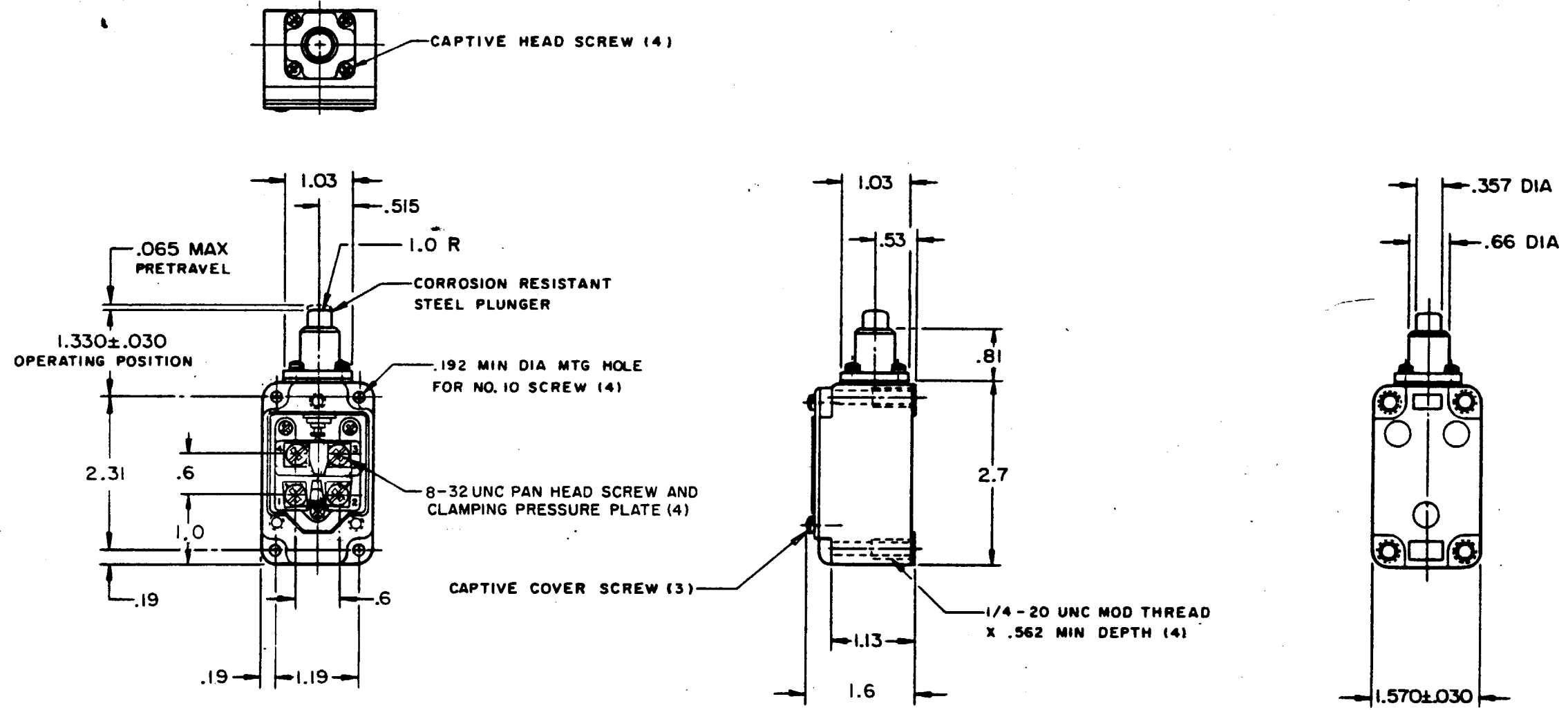
MICRO SWITCH™ compact LS and plug-in 200LS limit switches have a long record of successful performance in industrial applications. The MICRO SWITCH™ LS fits in many places too small for any other fully adjustable limit switch. The MICRO SWITCH™ 200LS switches are the original plug-in concept for reducing downtime by making changeover simple and fast.

Product Specifications	
Availability	Global
Operating Force (O.F.)	31.14 N max. [7 lb max.]
Release Force (R.F.)	8.90 N min. [2.0 lbs min.]
Pretravel (P.T.)	1.65 mm max. [0.065 in max.]
Overtravel (O.T.)	6.35 mm min. [0.25 in min.]
Differential Travel (D.T.)	0.51 mm max. [0.020 in max.]
Product Type	MICRO SWITCH™ Compact Limit Switches
Actuator	Top Plunger
Circuitry	1NC 1NO SPDT Snap Action, Double-Break
Ampere Rating	10 A Ind./0.8 A Res./0.4 Res./0.1 A Res.

Supply Voltage	120 Vac. 240 Vac. 480 Vac/115 Vdc/230 Vdc/550 Vdc
Housing Material	Zinc Die-Cast
Termination Type	0.5 in - 14NPT conduit
Housing Type	Compact / Non Plug-In
Series Name	LS
Sealing	NEMA 1, 3, 4, 6, 13
Operating Temperature Range	-29 °C to 71 °C [-20 °F to 160 °F]
UNSPSC Code	302119
UNSPSC Commodity	302119 Switches and controls and relays
Sealed	Industrial



70-80378-003
 DRAWN
 M B F
 19 MAR 64
 CHECK
 DAW
 19 MAR 64
 REVISIONS
 G CO 53005-D
 1 AUG 84
 H CO 65814-E
 26 NOV 90
 J CO 77031
 22 DEC 93
 F CO 50952
 2 FEB 83
 KAG
 E CO 25152
 22 APR 69
 RER
 D CO 24612
 14 OCT 68
 RER
 C CO 23403
 25 SEP 68
 RER
 B CO 15200
 19 MAR 64
 M B F
 ISSUE
 14
 DRAWING NUMBER
 M
 2LS1
 REPLACES
 2LS1



NOTE -
 $\triangle 1$ SEAL TO BE FURNISHED BY USER

THIS DRAWING COVERS A PROPRIETARY ITEM AND IS THE PROPERTY OF MICRO SWITCH, A DIVISION OF MINNEAPOLIS-HONEYWELL REGULATOR CO. THIS DRAWING IS NOT TO BE COPIED OR USED WITHOUT THE APPROVAL OF MICRO SWITCH.		
CHARACTERISTICS	ELECTRICAL DATA	SCALE 1/2 TO 1
OPERATING FORCE — — — — 7 LB MAX	CONTACT ARRANGEMENT (SEE CIRCUIT DIAGRAM)	DO NOT SCALE PRINT
RELEASE FORCE — — — — 2 LB MIN	18A-120, 240, OR 480 VAC; 1/3 HP - 120 VAC 3/4 HP - 240 VAC; 0.8A - 115 VDC; 0.4A - 230 VDC .1A - 550 VDC PILOT DUTY: 600 VAC MAX	UNLESS OTHERWISE NOTED DIMENSIONS ARE IN INCHES
DIFFERENTIAL TRAVEL — — — .020 MAX		TOLERANCES ARE:
OVERTRAVEL — — — — .250 MIN		ONE PLACE (.01) ± .005
RELEASE TRAVEL — — — — .015 MIN		TWO PLACE (.001) ± .001
SWITCH-BASIC REPLACEMENT — — — 2 MNI		THREE PLACE (.000) ± .000
		ANGLES ±
		WEIGHT